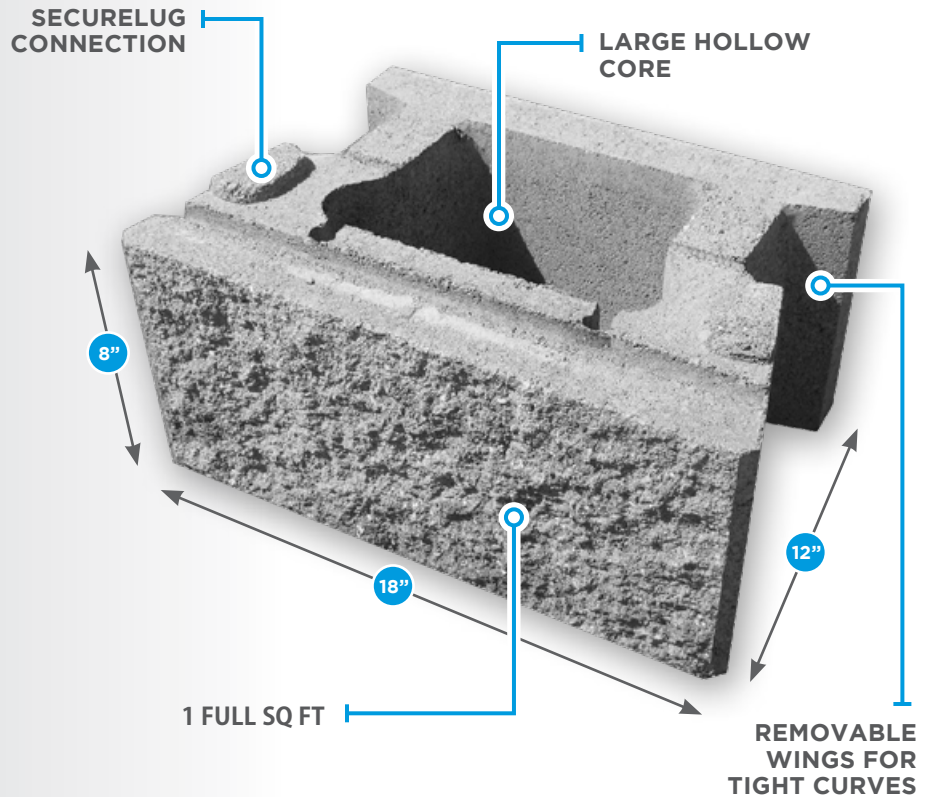


CornerStone[®] SecureLug Advantages

“Time is Money”. CornerStone Wall Solutions takes that to heart when it comes to our customers. That’s why installation simplicity and efficiency inspired CornerStone 100’s retaining wall block design over 25 years ago with innovative, time-saving features and a new approach through SecureLug connections.



CORNERSTONE'S SECURELUG SIMPLICITY

CornerStone 100 blocks have several distinct elements including the lightweight precast hollow core blocks with up to 40% less concrete than solid concrete systems and superior permeability for drainage. However, the tiniest feature may be an installer's favourite. The small, high-strength concrete SecureLugs on the bottom of each unit eliminate the need for retaining wall block pins.



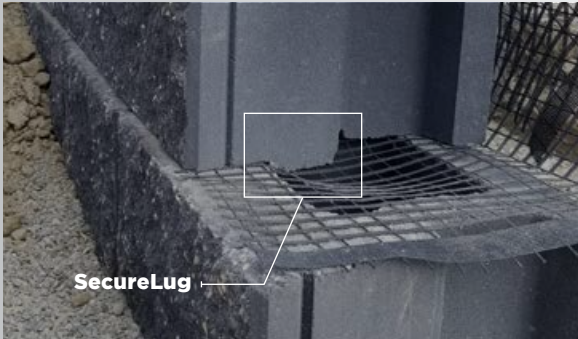
PULLING THE PIN ON TRADITIONAL RETAINING WALL SYSTEMS

There are common misconceptions about the functionality of pins in traditional retaining walls. The truth is:

- ✘ Pins do not add extra strength to the retaining wall
- ✘ Pins do not effect connection with geogrid materials

The ultimate purpose of these pins is to serve as reliable alignment tools, ensuring retaining walls have a consistent setback. While effective, pins are also time consuming to insert throughout the retaining wall. Any experienced contractor can relate to dropping – or running out of – pins and delaying progress.

While pins may provide a slight measure of added stability, those pins will not be the difference that holds together a failing wall or significantly enhances geogrid materials. Those materials are designed for soil reinforcement applications and are certified to safely do so, when properly installed.



SECURELUGS TO THE RESCUE

CornerStone's patented SecureLug connection is easily one of our block design's most recognizable and beloved features. The SecureLug allows for a tight fit without compromising the retaining wall's structural strength. As a precast block, each unit is guaranteed the same consistent interlocking fit and setback.



- ✔ SecureLugs will consistently measure 5/8" per unit (4.5 degree or 1" per vertical foot)
- ✔ SecureLugs are located on the bottom of each unit and fit perfectly into the hollow core grooves of units below for an even setback throughout every course of the retaining wall

The SecureLug's strategic built-in placement eliminates time spent fumbling with retaining wall alignment accessories and does not hinder the performance of geogrid materials. SecureLugs help contractors save on supplies and move on to the next block (or project) faster. After all, "Time is Money."

We look forward to making your installations quicker and easier with CornerStone 100 retaining wall systems' SecureLug feature.

CONTACT US

Email: info@cornerstonewallsolutions.com
cornerstonewallsolutions.com

